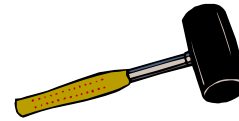
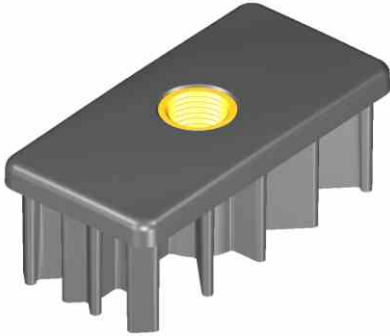


Threaded Bushings

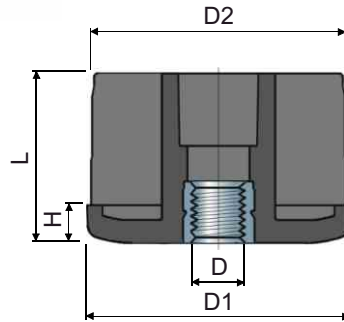
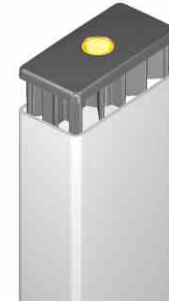
for rectangular tubes



Part. **82**



Pressure fitted



Tube dimensions

Outside mm	Thickness mm	Inside mm	Thread D	D1 mm	D2 mm	H mm	L mm	Code/Codice	Max static load N
20x50	2	16x46	M8	20x50	16x46	5	28	82 / 80325	4500
40x80	2	36x76	M16	40x80	36x76	10	45	82 / 80326	9000
			M20	40x80	36x76	10	45	82 / 80327	9500
New 50x100	2	46x96	M16	50x100	46x96	10	45	82 / 80693	9000
			M20	50x100	46x96	10	45	82 / 80694	9500
50x150	3	44x144	M16	50x150	44x144	10	45	82 / 80211	9000
			M20	50x150	44x144	10	45	82 / 80212	9500
60x120	3	54x114	M16	60x120	54x114	10	45	82 / 80209	9000
			M20	60x120	54x114	10	45	82 / 80210	9500

Material: Bush in reinforced polyamide, threaded insert in brass.
Packaging: 24 pieces.

On request

Packaging: not standard.