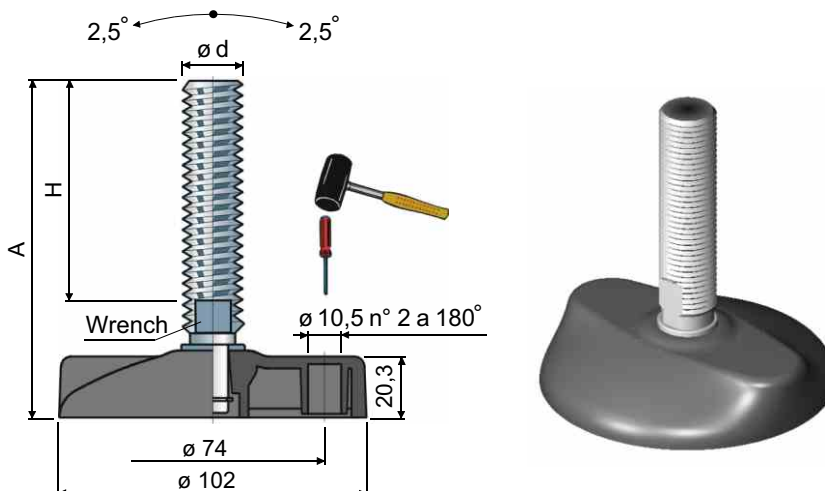


Articulated feet base in reinforced polyamide

Part. **87** $\varnothing 102$



$\varnothing d$	A mm	H mm	Wrench mm	Spindle in zinc plated steel	Spindle in stainless steel AISI 304	Max static load N
				Code/Codice	Code/Codice	
M16	98	58	13	87 / 7498	87 / 7499	33000
	159	119	13	87 / 7904	87 / 7905	
	185	145	13	87 / 7154	87 / 7155	
	241	201	13	87 / 7156	87 / 7157	
M20	150	107	17	87 / 7158	87 / 7159	35000
	178	135	17	87 / 7500	87 / 7501	
	200	157	17	87 / 7160	87 / 7161	
M24	136	90	19	87 / 7162	87 / 7163	37000
	173	127	19	87 / 7502	87 / 7503	
	208	162	19	87 / 7164	87 / 7165	

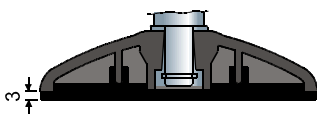
Base material: reinforced polyamide.

Packaging: 24 pieces.

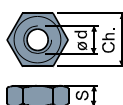
Accessories

Anti-slip pads:

- code: 7267;
- material: PVC rubber (black);
- packaging: 24 pieces.

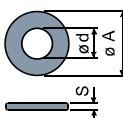


Nuts UNI 5588-65 - Packaging: 24 pieces.



$\varnothing d$	M16	M20	M24
Smm	13	16	19
Ch. mm	24	30	36
Zinc plated steel code	7275	7276	7279
Stainless steel code	7277	7278	7280

Washers UNI 6592-69 - Packaging: 24 pieces.



$\varnothing d$ mm	17	21	25
Smm	3	3	4
$\varnothing A$ mm	30	37	44
Zinc plated steel code	7289	7290	7293
Stainless steel code	7291	7292	7294

On request

Bases: In reinforced polypropylene • other colours • with prebored fixing holes.

Spindles with: Sunk hexagon head • second wrench seat head • hexagon wrench seat • threads with other pitches and lengths.

Packaging: not standard.

Assembling of: Anti-slip pads • nuts • washers.