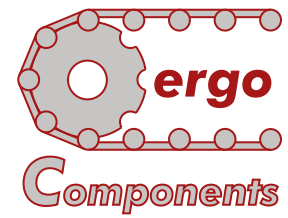
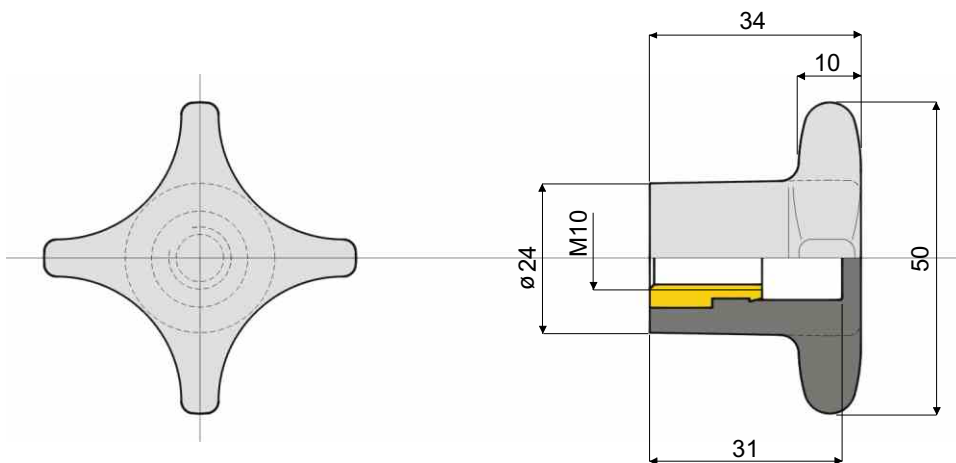


Knob for bracket



Part. 226



MATERIALS: Knob made out of reinforced polyamide, threaded bushing made out of brass.

FEATURES: Accessory to use with bracket Part.213, 215, and head Part.221

PACKAGING: 24 pieces.

ON REQUEST:

Knobs: In reinforced polypropylene, other colours.

Packaging: Not standard.