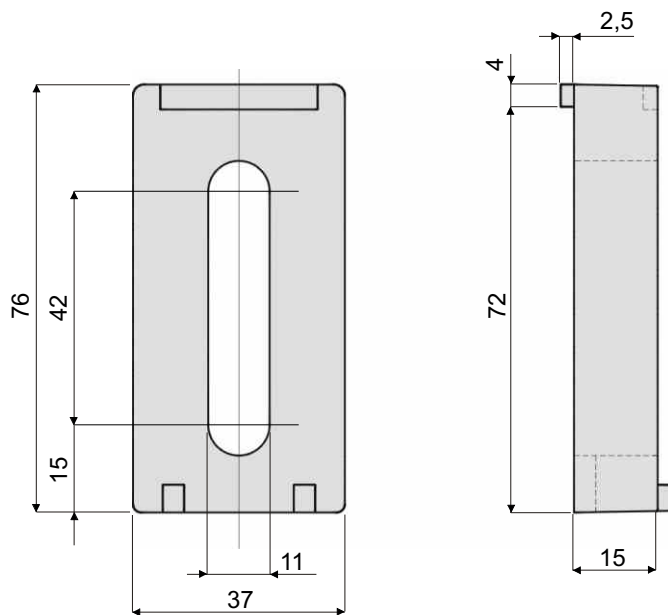
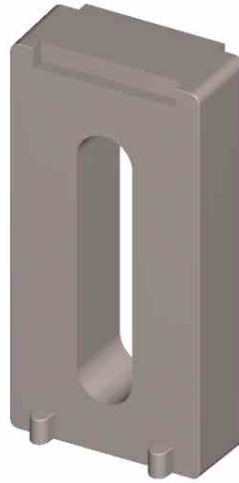


Spacer for bracket

Part. 225



Code/Codice
225 / 80677

MATERIAL: Reinforced polyamide.

FEATURES: Accessory to use with bracket Part.215, 218, 219, 220.

PACKAGING: 24 pieces.

ON REQUEST:

Spacers: In reinforced polypropylene, other colours.

Packaging: Not standard.