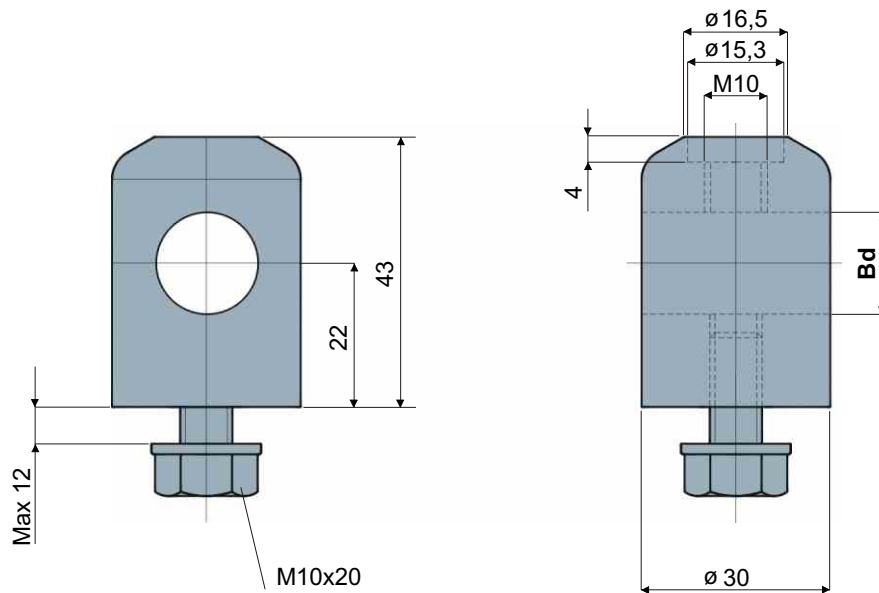


# Head for bracket (metal)

Part. **223**



Bd Bore for pins of (mm)	Head made out of nickel plated brass	Head made out of stainless steel
14 - 16	Code/Codice	Code/Codice
	223 / 80674	223 / 80675

**MATERIALS:** Head made out of stainless steel AISI 304 or nickel plated brass, screw and washer made out of stainless steel AISI 304.

**FEATURES:** Possibility to use pins with diameter 14 and 16 mm. Max tightening torque 4 kgm.

**PACKAGING:** 24 pieces.

**ON REQUEST:**

**Packaging:** Not standard.