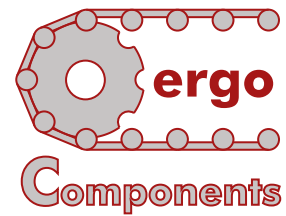
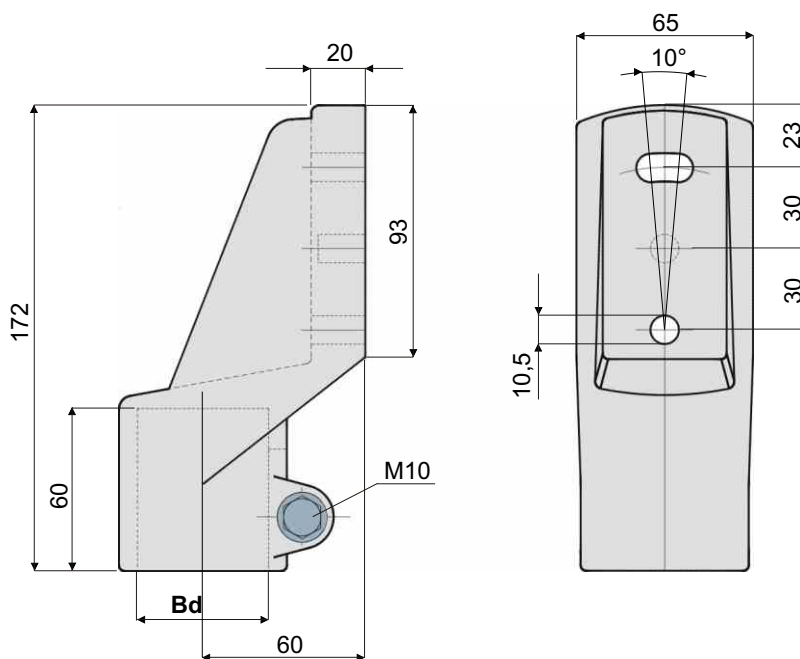


Side mounting top bracket



Part. 211



Bd		Zinc plated bolts and nuts	Stainless steel bolts and nuts (AISI 304)
Bore for tube of (mm)	(Inches)	Code/Codice	Code/Codice
48,3	1"1/2	211 / 80648	211 / 80649

MATERIALS: Top bracket made out of reinforced polyamide, bolts and nuts made out of stainless steel or zinc plated steel.

FEATURES: Max tightening torque 3,6 kgm.

PACKAGING: 8 pieces.

ON REQUEST :

Top bracket: In reinforced polypropylene, other colours.

Packaging: Not standard.

Assembling of: Screws, nuts, washers.