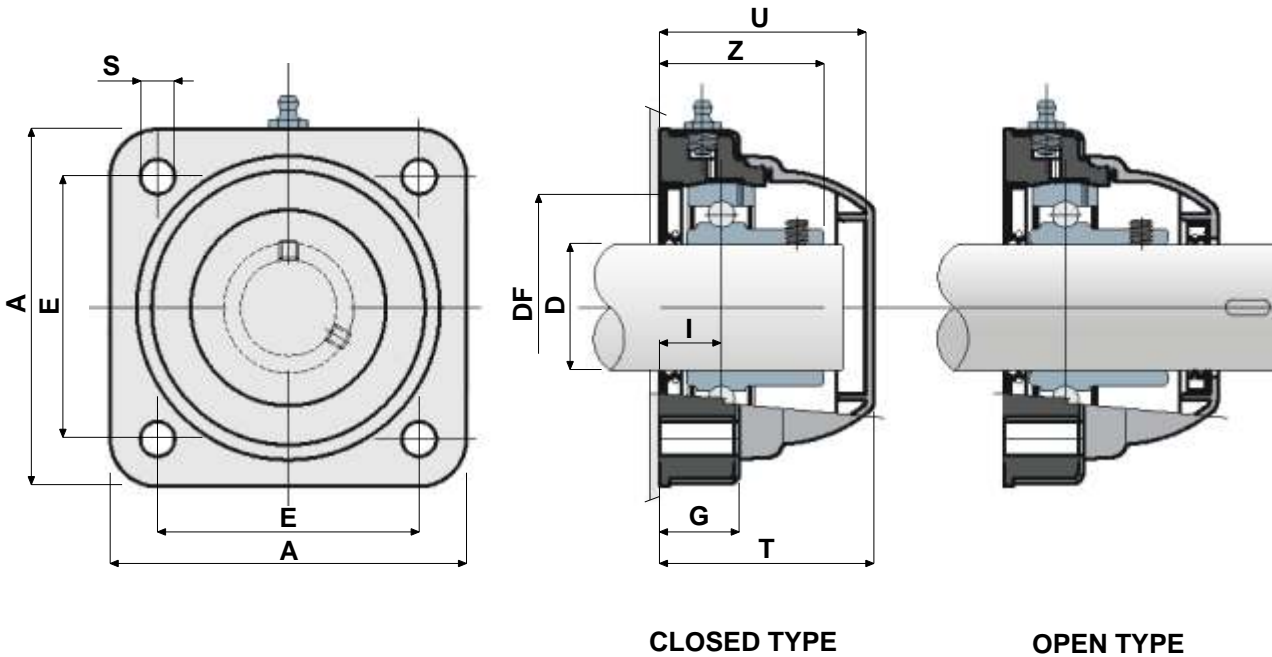


Technical data

UCF/CA Series



CROME STEEL BEARING

D	SERIES	CODES		DIMENSIONS (mm)										Bearing load (N)		Bearing support load (N)
		CLOSED TYPE	OPEN TYPE	E	A	S	G	I	Z	U	T	DF		C	C ₀	
												Max	Min			
30	UCF 206 CA	80409	80410	83	113	11	27	20	41	65	68	60	50	19500	11300	17500
35	UCF 207 CA	80485	80486	83	113	11	27	19.5	45	65	68	70	55	25500	15300	18000
40	UCF 208 CA	80411	80412	83	113	11	27	19.5	48.5	65	68	78	65	32500	19800	18000

NEW

STAINLESS STEEL BEARING AISI 440C

D	SERIES	CODES		DIMENSIONS (mm)										Bearing load (N)		Bearing support load (N)
		CLOSED TYPE	OPEN TYPE	E	A	S	G	I	Z	U	T	DF		C	C ₀	
												Max	Min			
30	UCF 206 CA	80453	80464	83	113	11	27	20	41	65	68	60	50	12500	11200	17500
35	UCF 207 CA	81059	81060	83	113	11	27	19.5	45	65	68	70	55	16600	15300	18000
40	UCF 208 CA	80454	81061	83	113	11	27	19.5	48.5	65	68	78	65	20000	19000	18000

MATERIALS : Support made out of PP+glass fiber; external cover of support made out of AISI 304 stainless steel; chrome steel or stainless steel bearing; greaser made out of nickel plated brass; reinforcement bushings made out of AISI 304 stainless steel; gaskets made out of NBR rubber; protection cover made out of polypropylene grey colour RAL 7042

FEATURES: Full protection of bearing against external agents. Support body made out of polypropylene covered by an AISI 304 stainless steel later, to obtain the maximum chemical resistance to antibacterial detergents used in food processing field. More over this part is moulded without internal cavities in order to obtain the best sanitation. Assembly with not shouldered shaft. Maximum shaft alignment error 2.5°.

PACKAGING: 8 pieces.

ON REQUEST : Protection cover in different colours and with personalized brand.